

Features

1. Compact size, suitable for small parts suction.
2. Three types for selection: Flat, Bellow and Rib, to meet different requirements.
3. Attached buffer type with fixed metal base, effectively reducing the impact on the suction material.
4. Different materials for selection: Nitrile Rubber and Silicone. Available for order a conductive silicone rubber to meet the special environment use.



Order Code

ZPT	02	U	N	J	6	B3
Series	Pad Diameter	Pad Type^①	Pad Material	Buffer Type	Buffer Stroke	Vacuum Port Specifications
	Refer To Selection and Configuration Table	U Flat B Bellow C Rib	N Nitrile Rubber S Silicone	J Movable K Non Movable	Refer To Buffer Stroke Table	Refer To Attached Table

Note: ① Refer to Selection and Configuration Table.

Order Example

Pad Diameter = Ø8mm; Pad Type = Bellow; Pad Material = Silicone; Buffer Type = Movable; Buffer Stroke = 6mm;

Vacuum Port Specifications = Ø4 Barb Fitting Type. Order Code: ZPT08BS - J6N4

Pad Diameter = Ø20mm; Pad Type = Flat; Pad Material = Nitrile Rubber; Buffer Type = Non Movable; Buffer Stroke = 30mm;

Vacuum Port Specifications = Ø6 Push In Fitting Type. Order Code: ZPT20UN - K30D6

• Selection and Configuration Table

Diameter Code	02	04	06	08	10	13	16	20	25	32	40	50
Diameter (mm)	2	4	6	8	10	13	16	20	25	32	40	50
Flat	●	●	●	●	●	●	●	●	●	●	●	●
Bellow	—	—	●	●	●	●	●	●	●	●	●	●
Rib	—	—	—	—	●	●	●	●	●	●	●	●

• Buffer Stroke Table

Buffer Stroke (mm)	Diameter Code											
	02	04	06	08	10	13	16	20	25	32	40	50
6	●	●	●	●	—	—	—	—	—	—	—	—
10	●	●	●	●	●	●	●	●	●	●	●	●
25	●	●	●	●	—	—	—	—	—	—	—	—
30	—	—	—	—	●	●	●	●	●	●	●	●

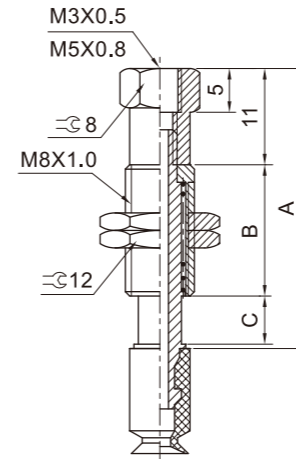
• Vacuum Port Specifications

Vacuum Port Specifications			Diameter Code											
Connection Type	Code	Model	02	04	06	08	10	13	16	20	25	32	40	50
Female Thread	B3	M3X0.5	●	●	●	●	—	—	—	—	—	—	—	—
	B5	M5X0.8	●	●	●	●	●	●	●	●	●	●	●	●
	B01	Rc1/8	—	—	—	—	—	—	—	—	—	—	—	—
Barb Fitting ^②	N4	Ø4	●	●	●	●	—	—	—	—	—	—	—	—
	N6	Ø6	—	—	—	—	●	●	●	●	●	●	●	●
Push In Fitting ^③	D4	Ø4	●	●	●	●	●	●	●	●	●	—	—	—
	D6	Ø6	●	●	●	●	●	●	●	●	●	●	●	●
	D8	Ø8	—	—	—	—	—	—	—	—	—	●	●	—

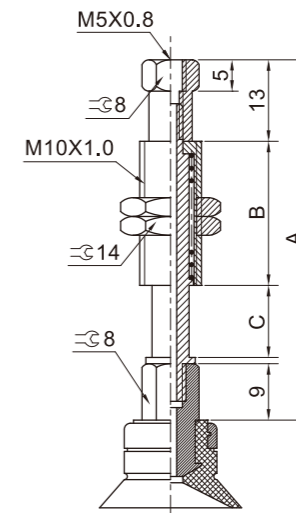
Note: ① Ø4, Ø6 are inner diameter of tube; ② Ø4, Ø6, Ø8 are outer diameter of tube.

Ext. Dimensions [mm]

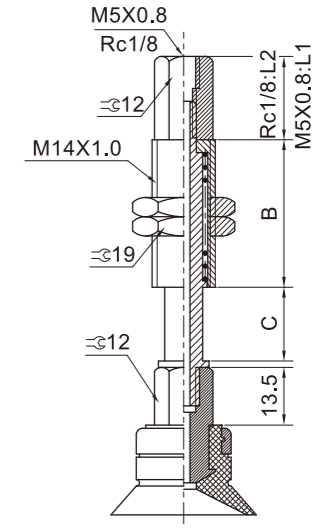
• Vacuum Port Female Thread Type Ø2 - Ø8



• Vacuum Port Female Thread Type Ø10 - Ø32



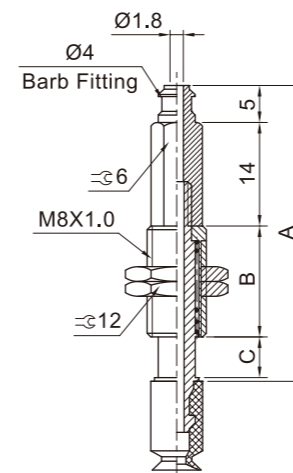
• Vacuum Port Female Thread Type Ø40 - Ø50



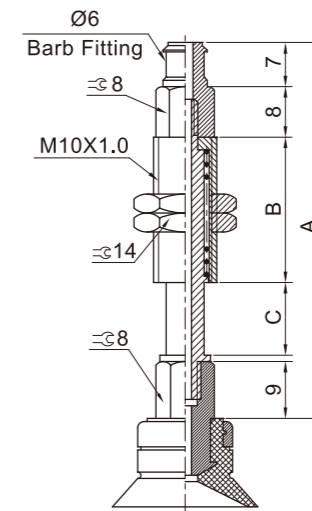
Note: For Pad Diameter, please refer to 5.12 ZPC Series.

Buffer Stroke	Ø2 - Ø8			Ø10 - Ø32			Ø40 - Ø50			
	A	B	C	A	B	C	B	C	L1	L2
6	32.8	15	6	—	—	—	—	—	—	—
10	65.8	43	11	57.5	23	11.5	50	12.5	15	16.5
25	80.8	43	26	—	—	—	—	—	—	—
30	—	—	—	105.5	51	31.5	50	32.5	9	12

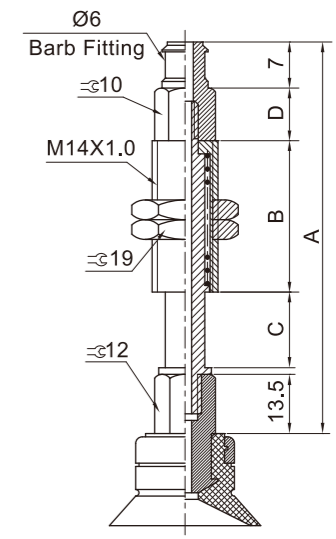
• Vacuum Port Barb Fitting Type Ø2 - Ø8



• Vacuum Port Barb Fitting Type Ø10 - Ø32



• Vacuum Port Barb Fitting Type Ø40 - Ø50



Note: For Pad Diameter, please refer to 5.12 ZPC Series.

Buffer Stroke	Ø2 - Ø8			Ø10 - Ø32			Ø40 - Ø50			
	A	B	C	A	B	C	A	B	C	D
6	40.8	15	6	—	—	—	—	—	—	—
10	73.8	43	11	59.5	23	11.5	97	50	12.5	12
25	88.8	43	26	—	—	—	—	—	—	—
30	—	—	—	107.5	51	31.5	110	50	32.5	5

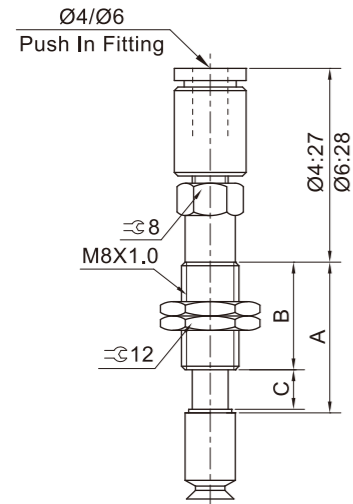
Vacuum Pad - Top Port / With Buffer ZPT 02 - 50 Series

Vacuum Pad - Side Port / With Buffer ZPR 02 - 50 Series

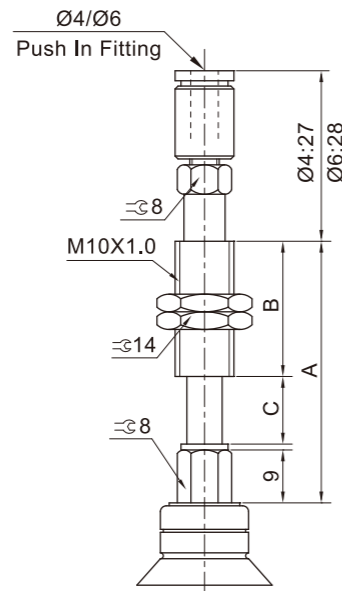


Ext. Dimensions [mm]

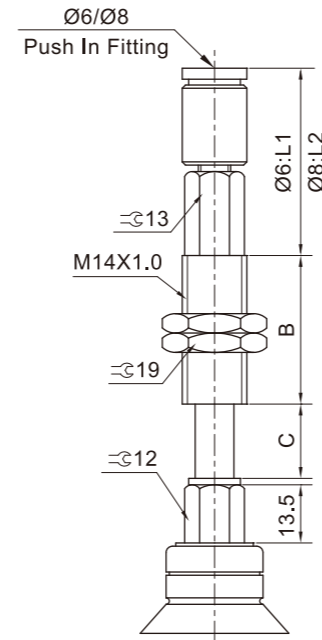
• Vacuum Port Push In Fitting Type Ø2 - Ø8



• Vacuum Port Push In Fitting Type Ø10 - Ø32



• Vacuum Port Push In Fitting Type Ø40 - Ø50



Note: For Pad Diameter, please refer to 5.12 ZPC Series.

Buffer Stroke	Ø2 - Ø8			Ø10 - Ø32			Ø40 - Ø50			
	A	B	C	A	B	C	B	C	L1	L2
6	21.8	15	6	—	—	—	—	—	—	—
10	54.8	43	11	44.5	23	11.5	50	12.5	35	39.5
25	69.8	43	26	—	—	—	—	—	—	—
30	—	—	—	92.5	51	31.5	50	32.5	19.9	24.9

Features

1. Compact size, suitable for small parts suction.
2. Three types for selection: Flat, Bellow and Rib, to meet different requirements.
3. Attached buffer type with fixed metal base, effectively reducing the impact on the suction pad material.
4. Different materials for selection: Nitrile Rubber and Silicone. Available for order a conductive silicone rubber to meet the special environment use.



Order Code

ZPR	02	U	N	J	6	D6
Series	Pad Diameter	Pad Type [Ⓞ]	Pad Material	Buffer Type	Buffer Stroke	Vacuum Port Specifications
	Refer To Selection and Configuration Table	U Flat B Bellow C Rib	N Nitrile Rubber S Silicone	J Movable K Non Movable	Refer To Buffer Stroke Table	Refer To Attached Table

Note: ① Refer to Selection and Configuration Table.

Order Example

Pad Diameter = Ø8mm; Pad Type = Bellow; Pad Material = Silicone; Buffer Type = Movable; Buffer Stroke = 10mm;

Vacuum Port Specifications = Ø4 Push In Fitting Type Order Code: ZPR08BS - J10D4

Pad Diameter = Ø20mm; Pad Type = Flat; Pad Material = Nitrile Rubber; Buffer Type = Non Movable; Buffer Stroke = 30mm;

Vacuum Port Specifications = Ø8 Push In Fitting Type Order Code: ZPR20UN - K30D8

• Selection and Configuration Table

Diameter Code	02	04	06	08	10	13	16	20	25	32	40	50
Pad Diameter (mm)	2	4	6	8	10	13	16	20	25	32	40	50
Flat	●	●	●	●	●	●	●	●	●	●	●	●
Bellow	—	—	●	●	●	●	●	●	●	●	●	●
Rib	—	—	—	—	●	●	●	●	●	●	●	●

• Buffer Stroke Table

Buffer Stroke (mm)	Diameter Code											
	02	04	06	08	10	13	16	20	25	32	40	50
6	●	●	●	●	—	—	—	—	—	—	—	—
10	●	●	●	●	●	●	●	●	●	●	●	●
25	●	●	●	●	—	—	—	—	—	—	—	—
30	—	—	—	—	●	●	●	●	●	●	●	●

• Vacuum Port Specifications

Vacuum Port Specifications			Diameter Code											
Connection Type	Code	Model	02	04	06	08	10	13	16	20	25	32	40	50
Push In Fitting [Ⓞ]	D4	Ø4	●	●	●	●	●	●	●	●	●	●	—	—
	D6	Ø6	●	●	●	●	●	●	●	●	●	●	●	●
	D8	Ø8	—	—	—	—	—	—	—	—	●	●	●	●

Note: ① Ø4, Ø6, Ø8 are outer diameter of tube.