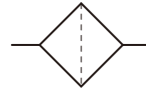


Symbol/Features



1. Compact size suitable for in Medium - sized multi-stage vacuum generator.
2. Lightweight construction using resin body.

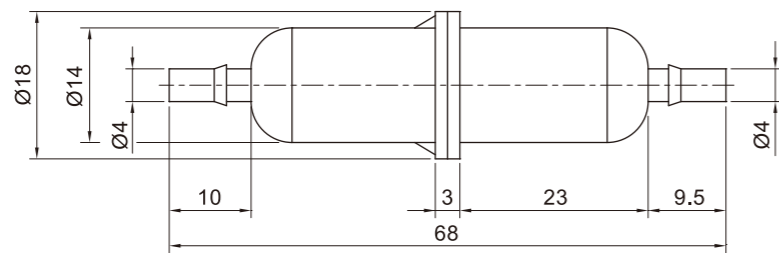


Specifications

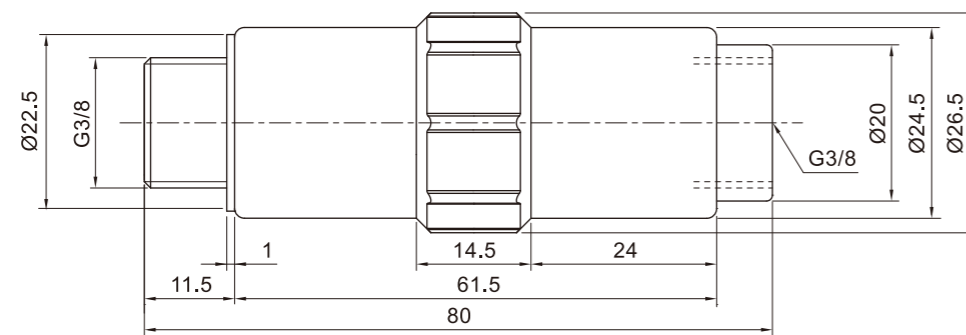
Type (Order Code)	UFL06	UFL10
Fluid	Air, Nitrogen	
Supply Pressure Range	kPa -100 ~ 0	
Internal Volume	cm ³ 4	20
Filter Rating	μm 20	
Operating Temperature Range	°C 0 ~ 80	
Port Connection Type	Ø4 (Pipe Diameter)	G3/8

Ext. Dimensions (mm)

• UFL06



• UFL10



Features

1. Compact size, suitable for small parts suction.
2. Special shape design, for strong suction.
3. Three types for selection: Flat, Bellow and Rib, to meet different requirements.



Order Code

ZPC	02	U	N
Series	Pad Diameter	Pad Type [Ⓞ]	Pad Material
	Refer To Selection and Configuration Table	U Flat B Bellow C Rib	N Nitrile Rubber S Silicone

Note: Ⓞ Refer to Selection and Configuration Table.

Order Example

Pad Diameter = Ø8mm; Pad Type = Bellow; Pad Material = Silicone

Order Code: ZPC08BS

Pad Diameter = Ø16mm; Pad Type = Flat; Pad Material = Nitrile Rubber

Order Code: ZPC16UN

• Selection and Configuration Table

Diameter Code	02	04	06	08	10	13	16	20	25	32	40	50
Pad Diameter (mm)	2	4	6	8	10	13	16	20	25	32	40	50
Flat	●	●	●	●	●	●	●	●	●	●	●	●
Bellow	—	—	●	●	●	●	●	●	●	●	●	●
Rib	—	—	—	—	●	●	●	●	●	●	●	●

• Material Color Table

Material Code	N	S
Pad Material	Nitrile Rubber	Silicone
Color	Black	White