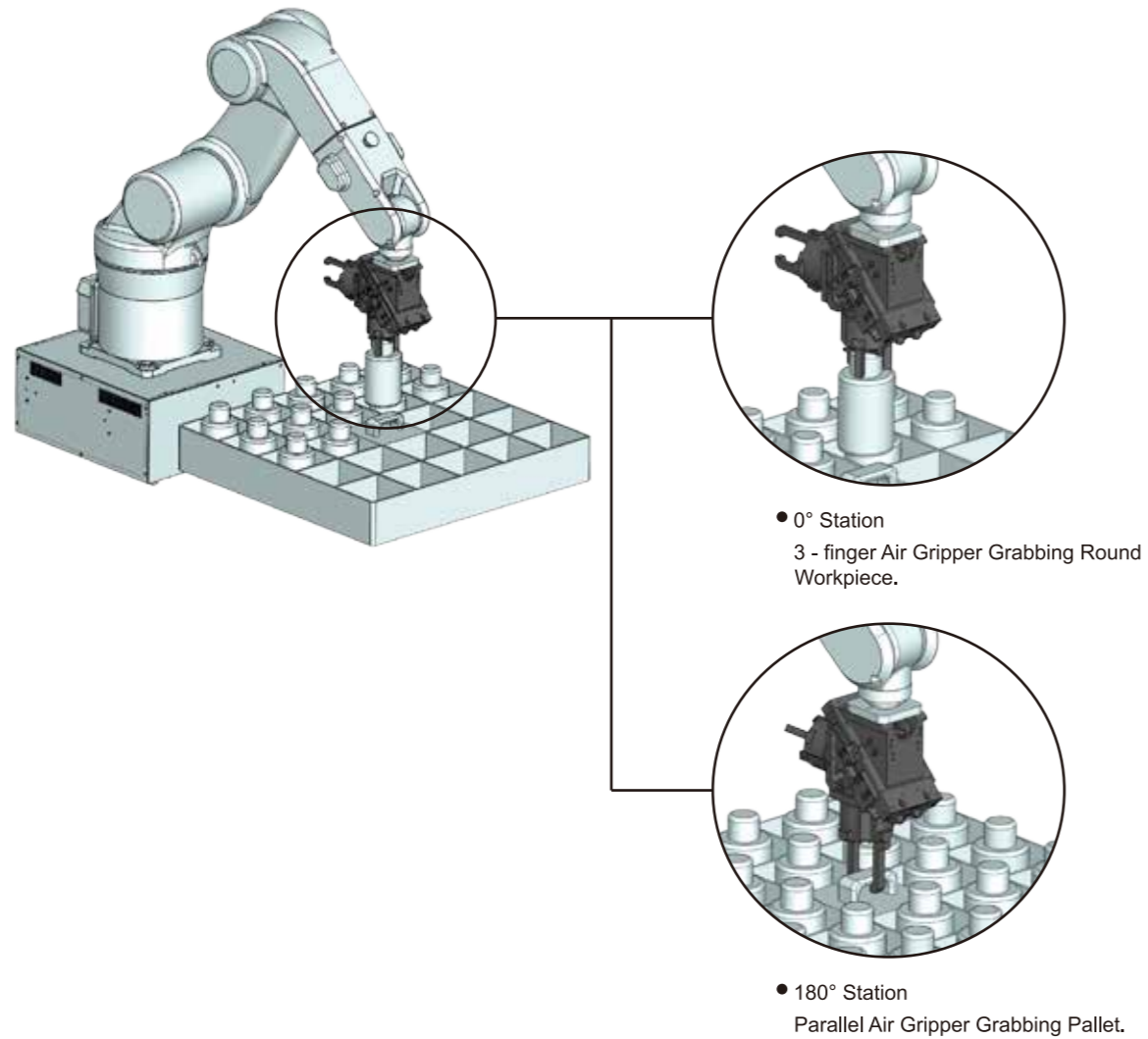
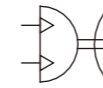


Applications



Symbol/Features



1. Rack and pinion mechanism, Stable transmission, large output torque and high strength.
2. Rotation angle 180°.
3. External buffering with great effect and reduced the length direction.
4. Available for direct mounting to grippers.
5. All built - in magnet design.



Specification

Size	mm	25	32
Action		Double acting	
Mechanism		Rack and pinion mechanism	
Max. Rotation Angle		180°	
Fluid		Air	
Operating Pressure Range	MPa (kgf/cm ²)	0.1 ~ 0.6 (1.5 ~ 6.1)	
Operating temperature Range	°C	0 ~ 60	
Absorber		Hydraulic Absorber	
Rotation Time	s	1~3	
Effective Gripping Force ^①	kg	2.5	4
Max. Effective Gripping Force ^②	kg	4	6
Port	Rc	1/8	
Mass ^③	kg	5.20	9.60

Note: ① The effective gripping force: transportable work part weight under Normal work transportation when both fingers and attachments are in full contact with the workpiece. ② Max. effective gripping force: transportable work part weight when remarkable acceleration, deceleration and /or impact occur. ③ Mass values are with air grippers assembled.

Order Code

MKQP Series ^①	32 Size mm	G31 Air gripper
	25 Ø25	Blank Without Air Gripper
	32 Ø32	G31 Short Stroke 3 - Finger
		G32 Long Stroke 3 - Finger
	G33	With Spring Pusher Short Stroke 3 - Finger
		G34 With Spring Pusher Long Stroke 3 - Finger
	G40	4 - Finger

Note: ① For auto switch, order 2 pieces for each cylinder and 2 pieces for each air gripper.
② Please consult HITOP about other series of air gripper.

Order Example

Size: 25mm; Short stroke 3 - finger air gripper.
Order code: MKQP25 - G31
Size: 32mm; 4 - finger air gripper.
Order code: MKQP32 - G4

• Applicable auto switches

Size	Position	Model
25, 32	Body	TDW TD - 2000
	Air gripper	TDLFX - 2000

Note: Please consult HITOP about the application of special occasions.

Theoretical Output Torque (N · m)

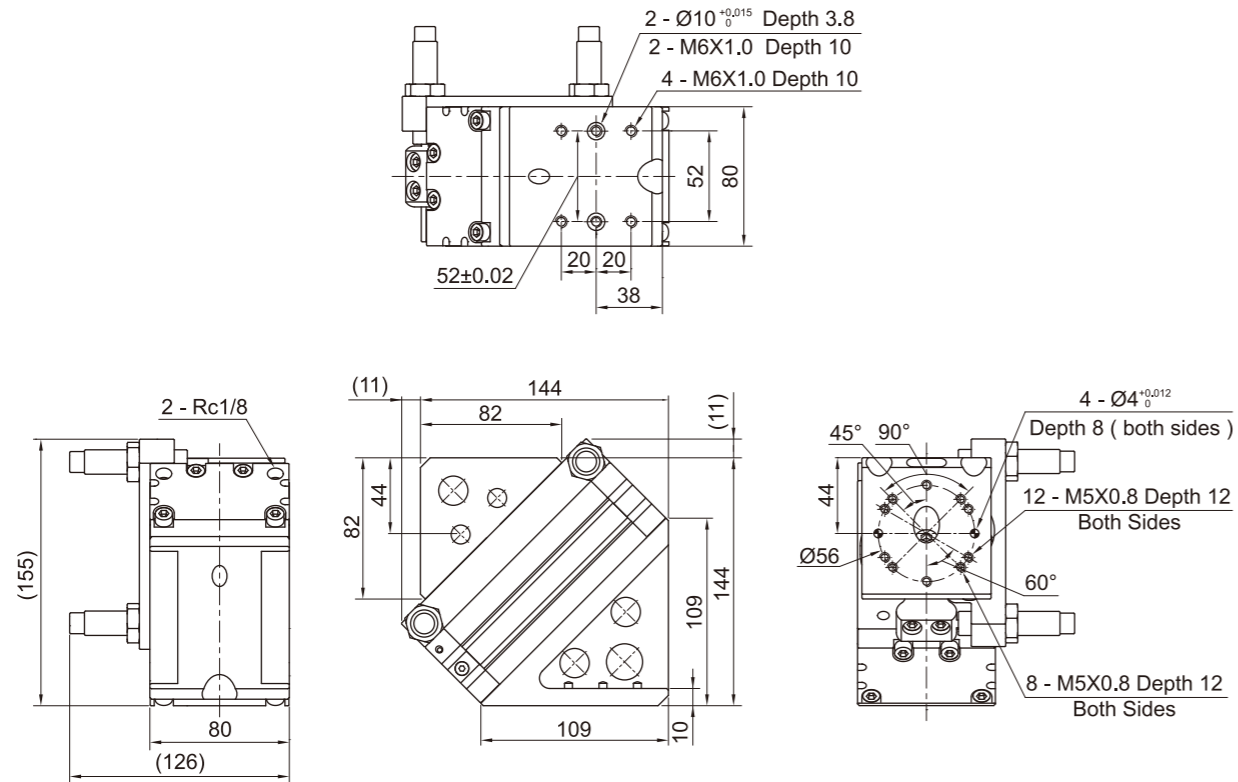
Size (mm)	Operating pressure (MPa)					
	0.1	0.2	0.3	0.4	0.5	0.6
25	0.93	1.85	2.78	3.71	4.64	5.57
32	2.03	4.05	6.08	8.11	10.1	12.2

End Effector - Fast Action
MKQP 25 - 32 Series

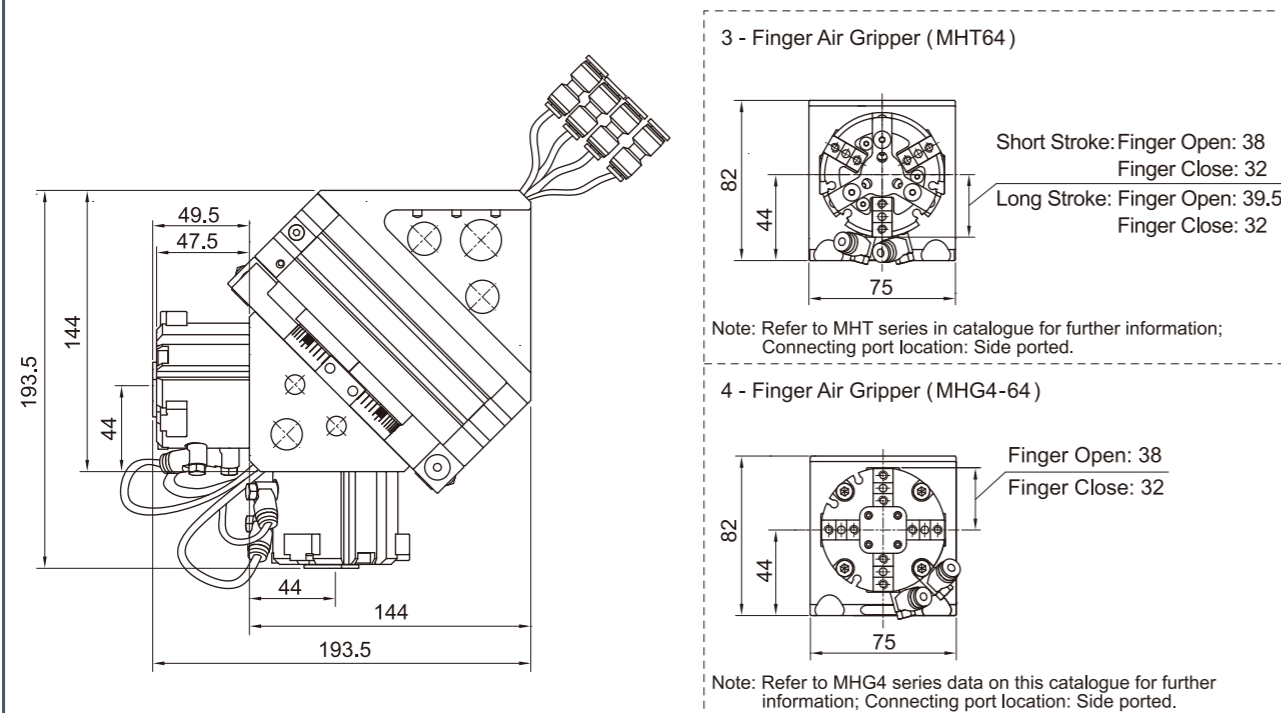
End Effector - Fast Action
MKQP 25 - 32 Series

Ext. Dimensions [mm]

•Ø25



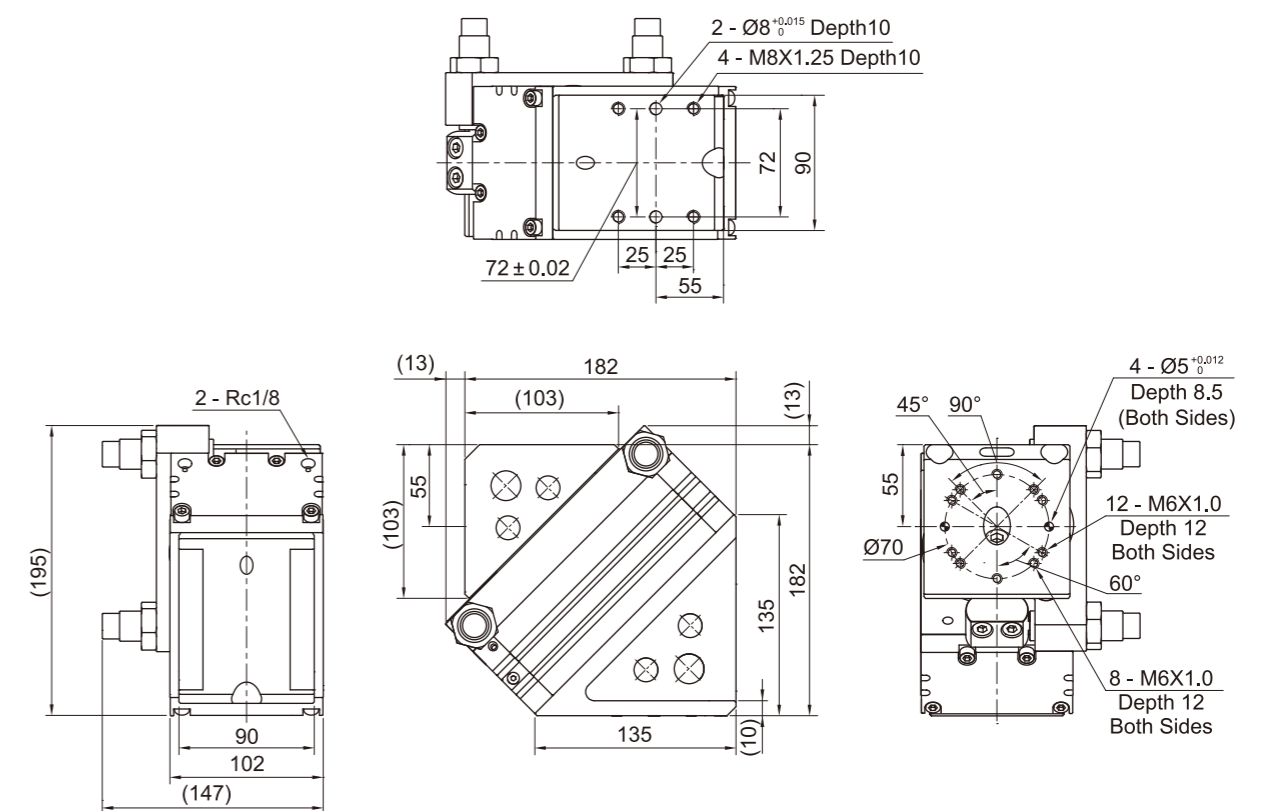
•Ø25 With Air Grippers



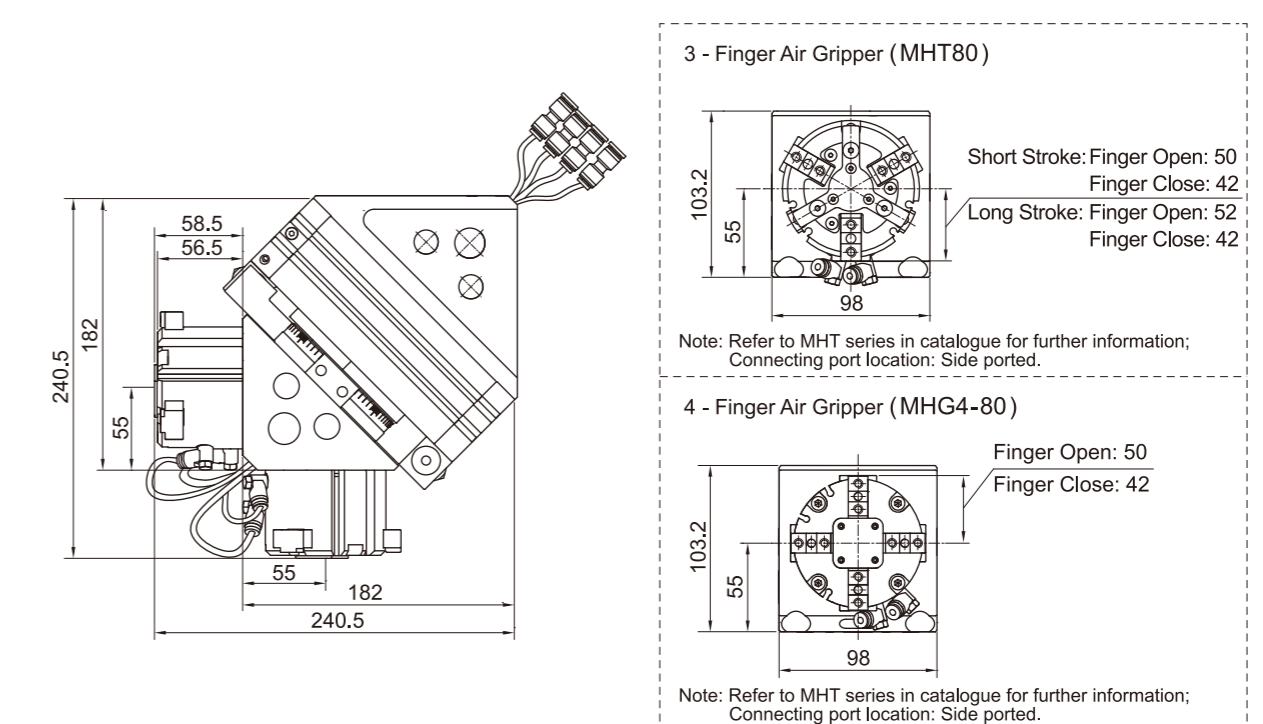
Note: Please consult HITOP for other series of air gripper.

Ext. Dimensions [mm]

•Ø32



•Ø32 With Air Grippers



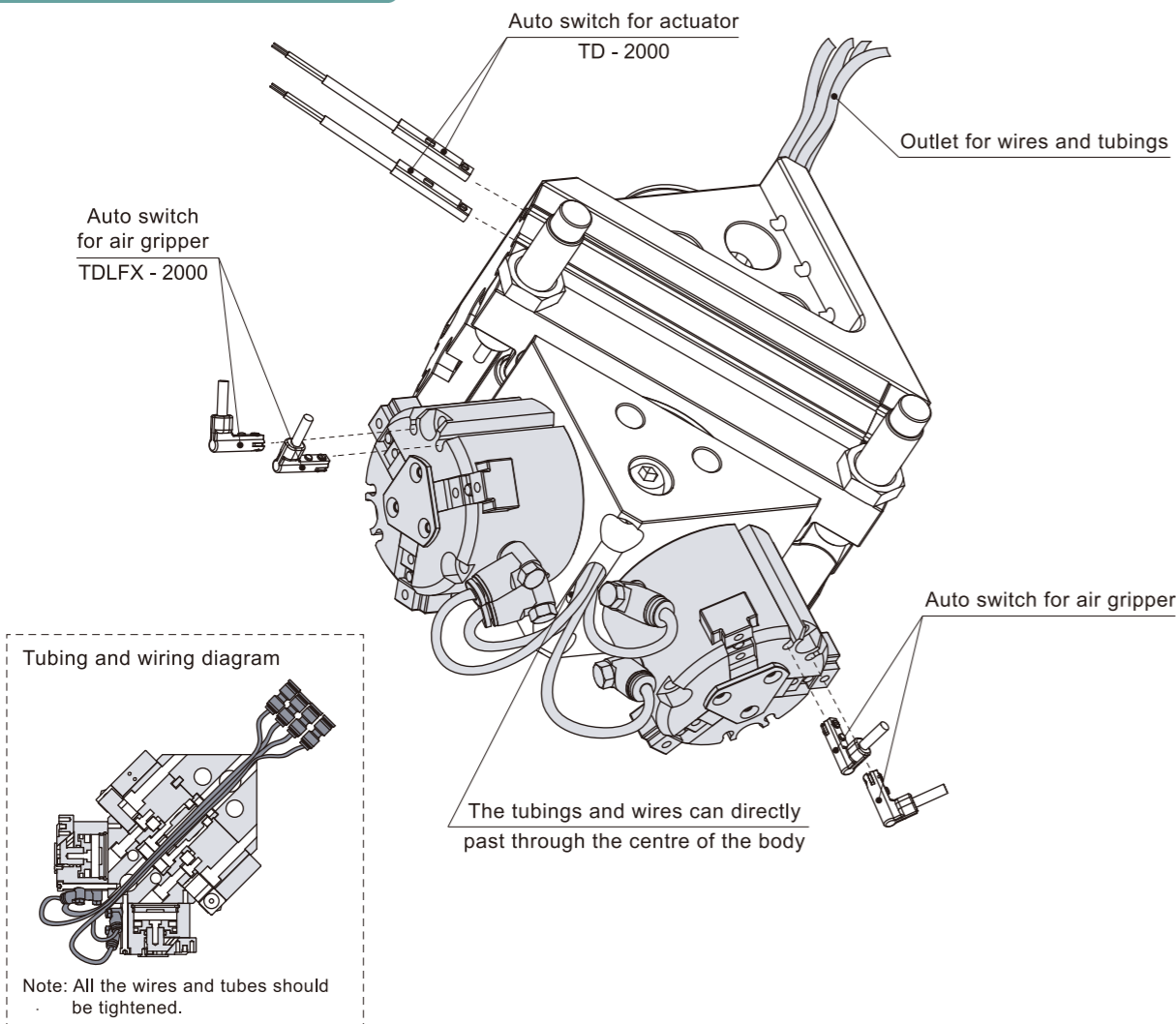
Note: Please consult HITOP for other series of air gripper.

End Effector - Fast Action
MKQP 25 - 32 Series

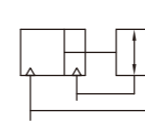
Gripper - Parallel Type
MHB 10 - 25 Series



Auto Switch Assembly



Symbol / Features







1. Suitable for internal and external clamp of the workpiece.
2. Built-in Magnet, for sensor signal.

Specifications

Bore	mm	10	16	20	25
Opening / Closing Stroke	mm	4.6	8	9.6	13.9
Action		Double Acting			
Fluid		Air			
Operating Pressure Range	MPa (kgf/cm ²)	0.2 ~ 0.7 (2.0 ~ 7.1)			
Operating Temperature Range	°C	-10 ~ 60 (No Freezing)			
Lubrication ^①		Not Required			
Cushion		None			
Repeatability	mm	± 0.1			
Max Operating Frequency	c.p.m	90			
Port		M3X0.5		M5X0.8	
Mass	kg	0.05	0.12	0.25	0.46

Note: ① Use only Class 1 Turbine Oil ISO VG32 for lubricant, if required.

Order Code

MHB	20
Series ^①	Bore mm
	10 Ø10
	16 Ø16
	20 Ø20
	25 Ø25

Note: ① Auto switch needs to be ordered seperately, please refer to the catalog.

Order Example

Bore: 16mm; Order Code: MHB16
 Bore: 20mm; with Auto Switch (Refer to 4.03 TD series, Model: TDX, length 2 m)
 Order Code for Gripper: MHB20
 Order Code for Auto Switch: TDX-2000 (Normally, each cylinder will installed 2 Auto switches)

● Auto Switch

Bore (mm)	2 Wires		3 Wires
	Contact	Solid State	Solid State
10	—	TDW TDX TDTX	TDS TDLFS TDLMN
16, 20, 25	TD	TDLFX TDLMX	TDLMP

Application

