

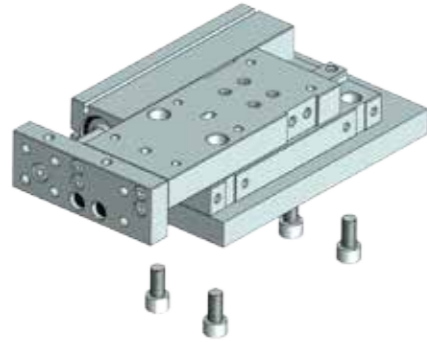
Slide Cylinder - Low Profile Linear Guide Type
GXF 10 - 32 Series

Rodless Cylinder - Magnetically Coupled
GPA 16 - 40 Series

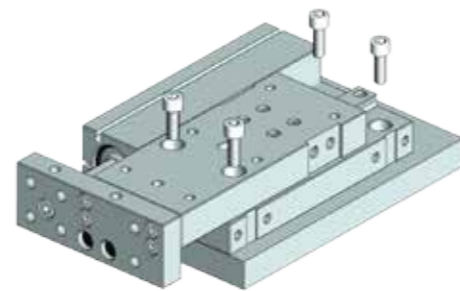


Mounting Examples

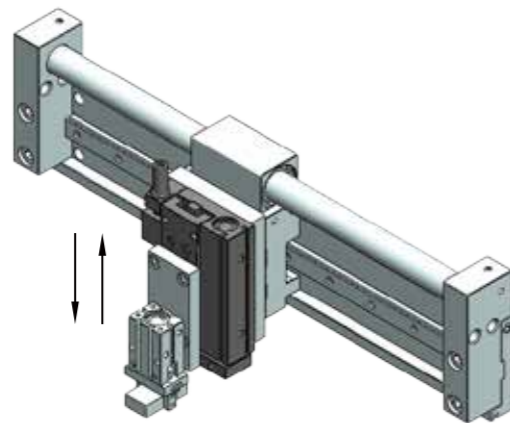
• Threaded Mounting



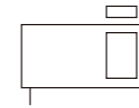
• Through-Hole Mounting



Application examples



Symbol




Specifications

Bore	mm	16	20	25	32	40
Action		Double Acting				
Fluid		Air				
Operating Pressure Range	MPa (kgf/cm ²)	0.18 ~ 0.7 (1.8 ~ 7.1)				
Operating Temperature Range	°C	5 ~ 60				
Lubrication [Ⓞ]		Not Required				
Cushion		Rubber Bumper				
Stroke Length Tolerance	mm	0 ~ 250 : +1.0 0		251 ~ 1000 : +1.4 0		
Magnet Holding Force	N	140	231	362	588	921
Max Operating Pressure for Intermediate Stop	MPa	0.65				
Port	Rc	M5X0.8	1/8		1/4	

Note: ① Use only Turbine Oil ISO VG32 for lubricant, if required.

Order Code

GPA		32	X	100
Series	Bore mm	Stroke		
	16 Ø16	Refer to Attached Table		
	20 Ø20			
	25 Ø25			
	32 Ø32			
	40 Ø40			

Order Example

Bore = 16mm; Stroke = 100mm Order Code: GPA16X100 Bore = 40mm; Stroke = 300mm Order Code: GPA40X300

Stroke

Bore (mm)	Stroke (mm)														
	50	100	150	200	250	300	350	400	450	500	600	700	800	900	1000
16	●	●	●	●	●	●	●	●	●	●	—	—	—	—	—
20	●	●	●	●	●	●	●	●	●	●	●	●	—	—	—
25	●	●	●	●	●	●	●	●	●	●	●	●	●	—	—
32	●	●	●	●	●	●	●	●	●	●	●	●	●	—	—
40	●	●	●	●	●	●	●	●	●	●	●	●	●	●	●

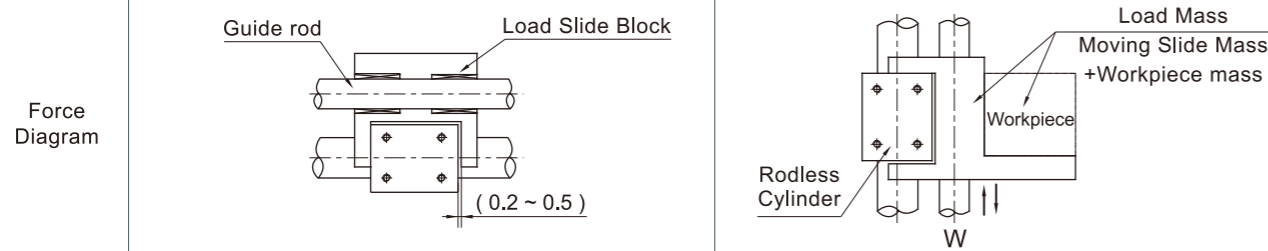
Rodless Cylinder - Magnetically Coupled GPA 16 - 40 Series

Rodless Cylinder - Magnetically Coupled / Direct Mount GPD 16 - 40 Series



Allowable Load

Bore (mm)	Allowable Radial Load (N)	Vertical mounting load (N)
16	10	70
20	11	110
25	12	185
32	15	300
40	20	470



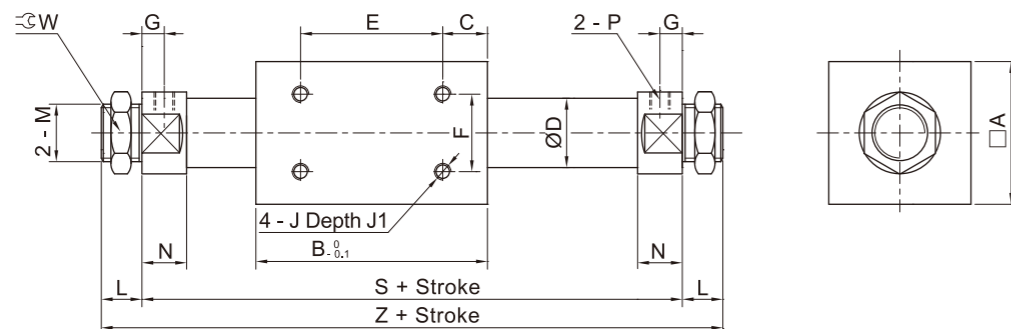
① Do not apply loads directly on the cylinder. It is recommended to use the cylinder with suitable guiding mechanisms such as guide rod or guide rail, a guiding mechanism is used to support the loads of the cylinder.

Theoretical Output [N]

Bore (mm)	Stress Area (mm ²)	Operating Pressure (MPa)					
		0.2	0.3	0.4	0.5	0.6	0.7
16	201	40.2	60.3	80.4	100.5	120.6	140.7
20	314	62.8	94.2	125.6	157	188.4	219.8
25	490.8	98.1	147.2	196.3	245.4	294.5	343
32	804.2	160.8	241.2	321.7	402.1	482.5	563
40	1256.6	251.3	377	502.6	628.3	754	879.6

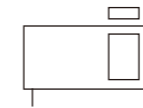
Note: The data above for reference only. Friction losses are not accounted for.

Ext. Dimensions [mm]



Bore	A	B	C	D	E	F	G	J	J1	L	M	N	P	W	S	Z
16	35	57	11	17.4	35	19	5.5	M4X0.7	6	10	M10X1.0	11	M5X0.8	17	83	103
20	36	66	8	21.4	50	25	8	M4X0.7	6	13	M20X1.5	15	Rc1/8	27	106	132
25	46	70	10	27	50	30	8	M5X0.8	8	13	M26X1.5	15	Rc1/8	32	111	137
32	60	80	15	34	50	40	9	M6X1.0	8	16	M26X1.5	17	Rc1/8	32	124	156
40	70	92	16	42.4	60	40	11	M6X1.0	10	16	M32X2.0	21	Rc1/4	41	150	182

Symbol / Features



1. Can be mounted on two sides of the slide block.
2. Direct mount type.
3. Centralized piping types available.
4. Built-in Magnet.



Specifications

Bore Size	mm	16	20	25	32	40
Action		Double Acting				
Fluid		Air				
Operating Pressure Range	MPa (kgf/cm ²)	0.18 ~ 0.7 (1.8 ~ 7.1)				
Temperature Range	°C	5 ~ 60				
Lubrication ①		Not Required				
Cushion		Rubber Bumper				
Stroke Length Tolerance	mm	0 ~ 250 : +1.0 0		251 ~ 1000 : +1.4 0		
Magnetic Holding Force	N	140	231	362	588	921
Max Operating Pressure for Intermediate Stop	MPa	0.65				
Port	Rc	M5X0.8		1/8		1/4

Note: ① Use only Turbine Oil ISO VG32 for lubricant, if required.

Order Code

Series ①	GPD	32	x	100	x	L	Fitting	Blank	Both Side
								L	Left Side
								R	Right Side
								Refer to Attached Table	
								Bore Size mm	Stroke
16	Ø16								
20	Ø20								
25	Ø25								
32	Ø32								
40	Ø40								

Order Example

Bore Size = 16mm; Stroke = 100mm; Fitting: Both Side.
 Order Code: GPD16X100
 Bore Size = 20mm; Stroke = 100mm; with Auto Switch (Refer to 4.03 TD series. Model: TDLMN, length 2 meters), Fitting: Right Side.
 Order Code: GPD20X100R
 Auto Switch Order Code: TDLMN-2000 (Normally, each cylinder will installed 2 Auto switches)

Note: ① Auto switch needs to be ordered separately, please refer to the Auto Switch and Spacer Selection Table.

Auto Switch and Mounting seat

Bore Size (mm)	2 Wire		3 Wire	Mounting Seat
	Contact	Solid State	Solid State	
16, 20	TD	TDW TDX	TDS	—
		TDTX	TDLFS	
25, 32, 40		TDLFX	TDLMN	PCB
		TDLMX	TDLMP	

Fitting

Bore Size (mm)	Fitting		
	Both Side	Left Side	Right Side
16			
20			
25			
32			
40			